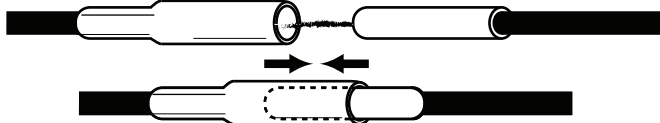
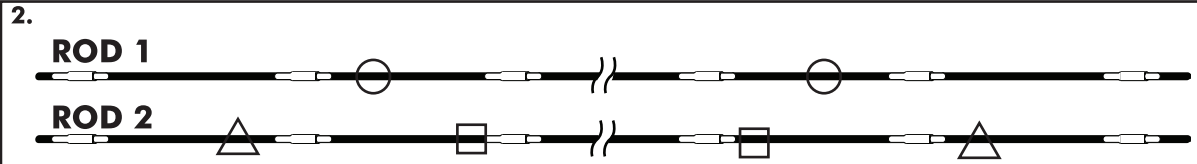


BIG DADDY INSTA-NET™ ASSEMBLY INSTRUCTIONS

1. After removing contents from box...



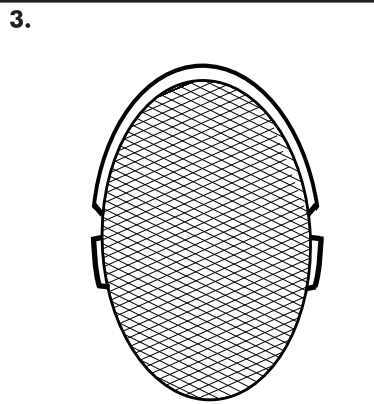
Assemble frame by inserting the smaller fiberglass end of the pole section into the center of the larger metal sleeve.



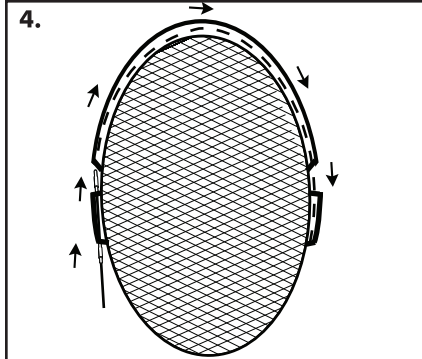
- Green Connector Positions
- White Connector Positions
- △ Black Connector Positions

Poles should lay flat/straight as above

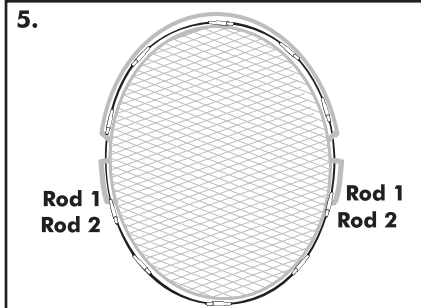
*Note green, black, and white connector locations on the poles



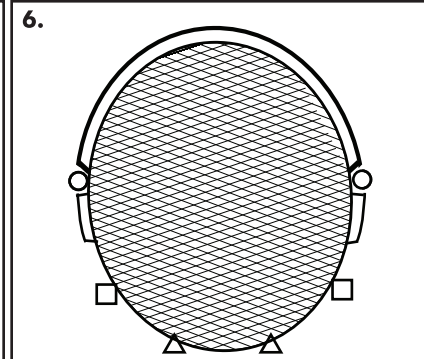
- Lay netting on ground to form an oval/rectangular shape



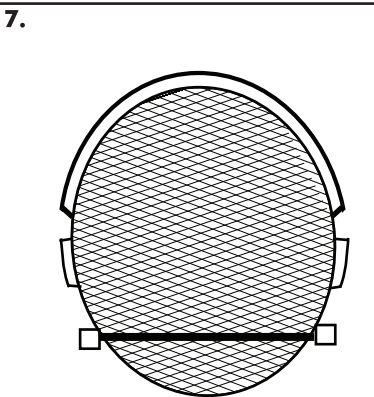
- Insert **Rod 1** (with green connectors) into the first opening in the sleeve.
- Feed through until entire rod is inside sleeves



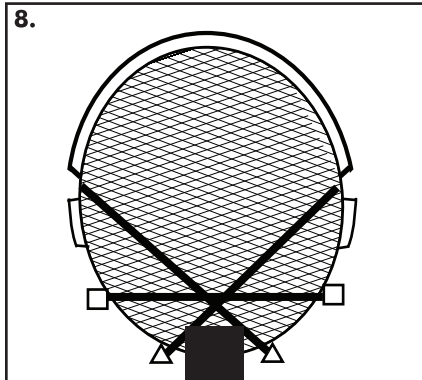
- Attach **Rod 2** to **Rod 1** by bending **Rod 2** and inserting both ends into both metal ends stemming from **Rod 1**
- Bending the rods will stretch the net to be taut
- A large circle should be formed by when all ends are connected



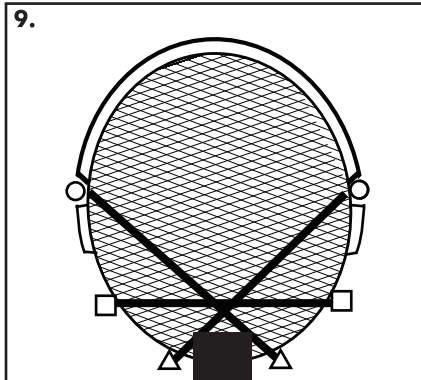
- After both rods are connected line up the connector positions as follows above
- Green Connector Positions
 - White Connector Positions
 - △ Black Connector Positions



- Attach **white cord clips** to **white connectors** at both sides of the frame



- Connect **black clips** (short ends of weight bag straps) to **black connectors**
- Velcro on bag should face up and attach to **Rod 2**



- Connect **green clips** (long ends of weight bag straps) to **green connectors**

- 10.
- The entire net should now be formed and bent to an arc.
 - Place substantial weight on top of the blue weight bag to hold net up during play

Reverse steps listed to safely take down the **Big Daddy Insta-Net™**

ATTENTION:

Questions or comments regarding this product?

Do not contact your retailer, contact IZZO GOLF and we will help in any way we can.

Contact Info:



1635 Commons Parkway
Macedon NY, 14502 USA

1-800-284-1220
315-986-0010

Email:
Sales@izzo.com

www.izzo.com